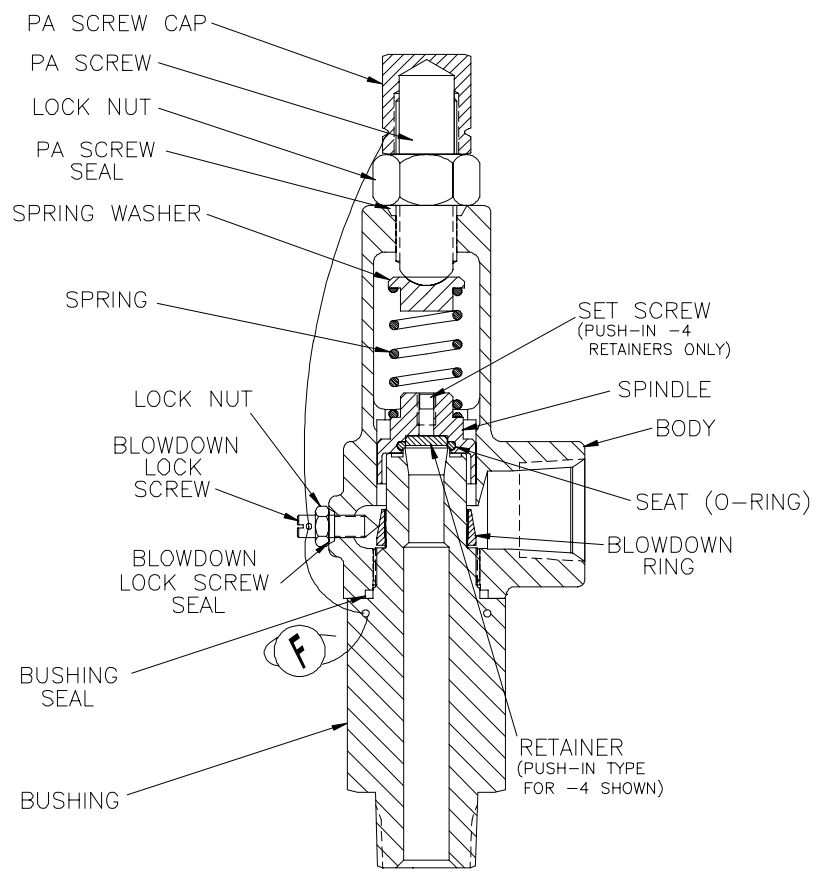
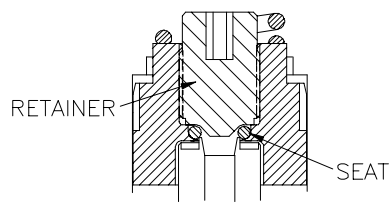


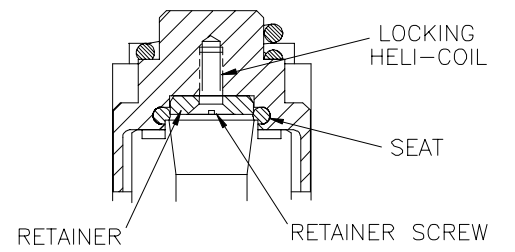
F84M-1/2/3/4 "A" BODY



F85M-1/2/3/4 "A" BODY



F85M-1/2/3
SPINDLE/SEAT DETAIL



F85M-4
SPINDLE/SEAT DETAIL
(NEWER MODELS ONLY)