



TWIN BALL

DB&B valves



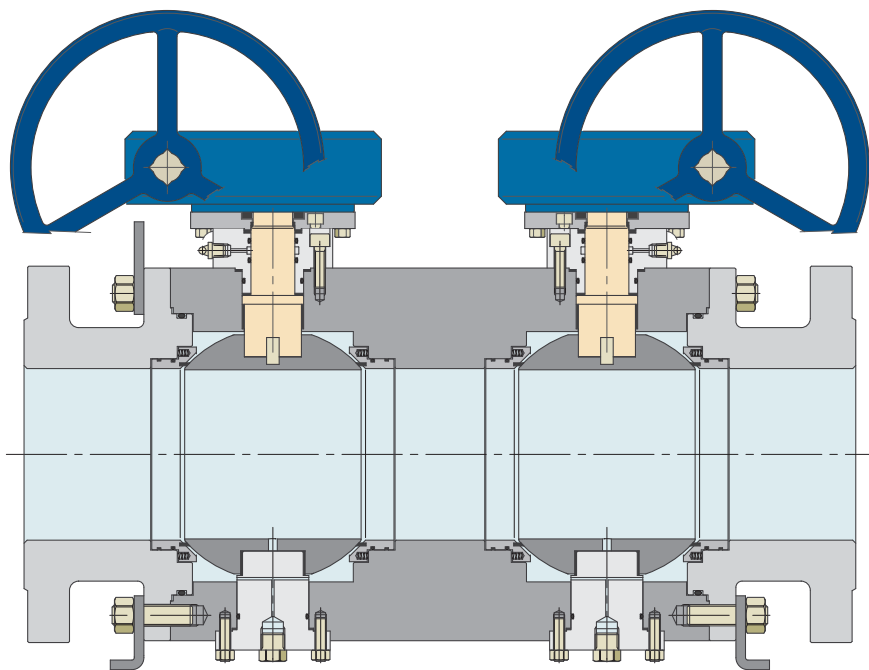


ART. 88

Twin ball DB&B valves

Double block and bleed valve is a combination of two ball valves with a needle valve between. That design type allows to have an integral compact body and short face to face dimension.

You can have different solutions and different valve ends, as per customer request.



Options

- locking device
- extended stem
- lip-seal
- garlock packing
- double piston effect
- metal to metal seat
- transition pieces (pups)
- RF - RJ - HUB - BW ends
- Lever and gear operated

Special version



Cartridge twin ball DB&B valves

Special version designed to solve space problems. Despite having two balls with bleeder at the center, the design allows size "face to face" very limited, in many cases as API 6D and ASME B16.10 refer to valves with single ball.

A Operator

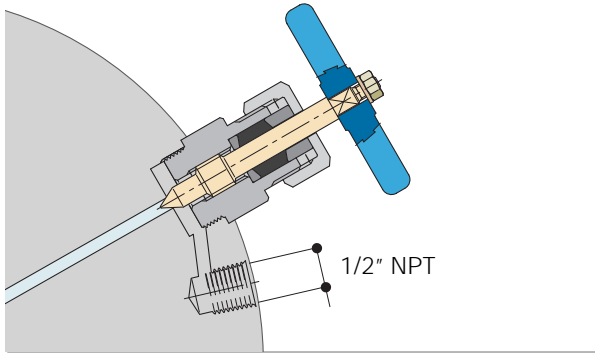


Standard version (the larger Face to Face dimension):
two gearboxes and two handwheels on the same side.

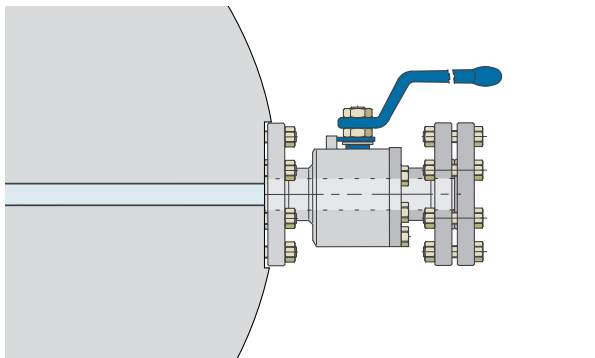


Standard levers position

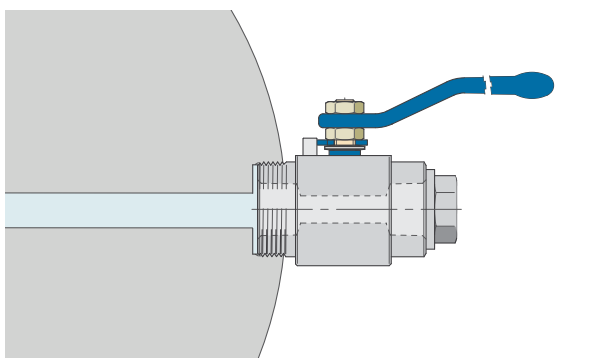
B | *Bleeder* Different solutions available



Standard version needle valve screwed into the valve body with 1/2" NPTF bleed.



Floating ball valve, our *Art.75*, bolted to the valve body; that valve is provided with blind flange.



Floating ball valve, our *Art.60*, screwed to the valve body; that valve is provided with plug.





Zavero srl, Via dei Martiri 121/B, 28078 Romagnano Sesia, ITALY
Phone +39 0163 41 13 37 sales@zavero.com www.zavero.com

