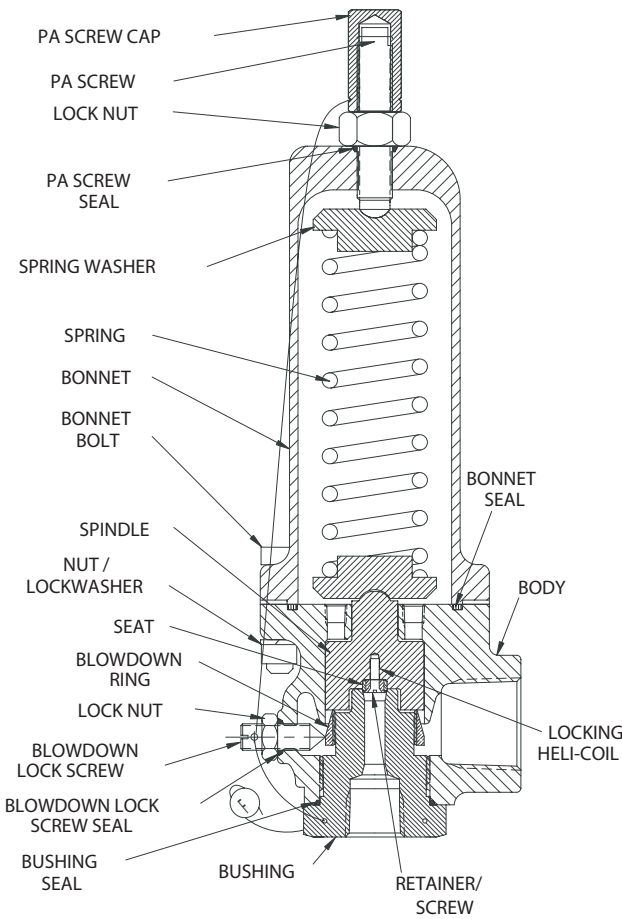


F84-4/6/8 "B" BODY



F84-4/6/8 "C" BODY
 F84-F/G "D" BODY
 F84-H/J "E" BODY

